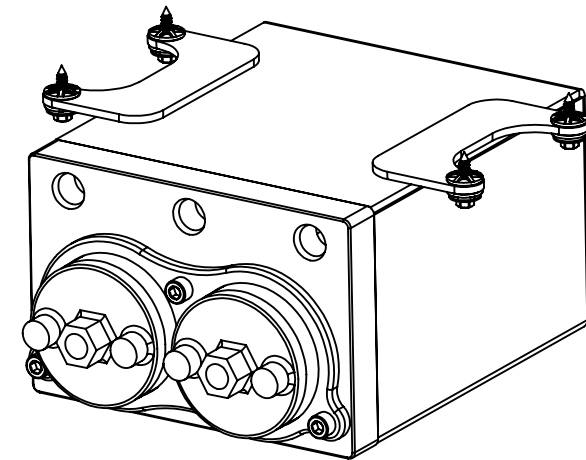
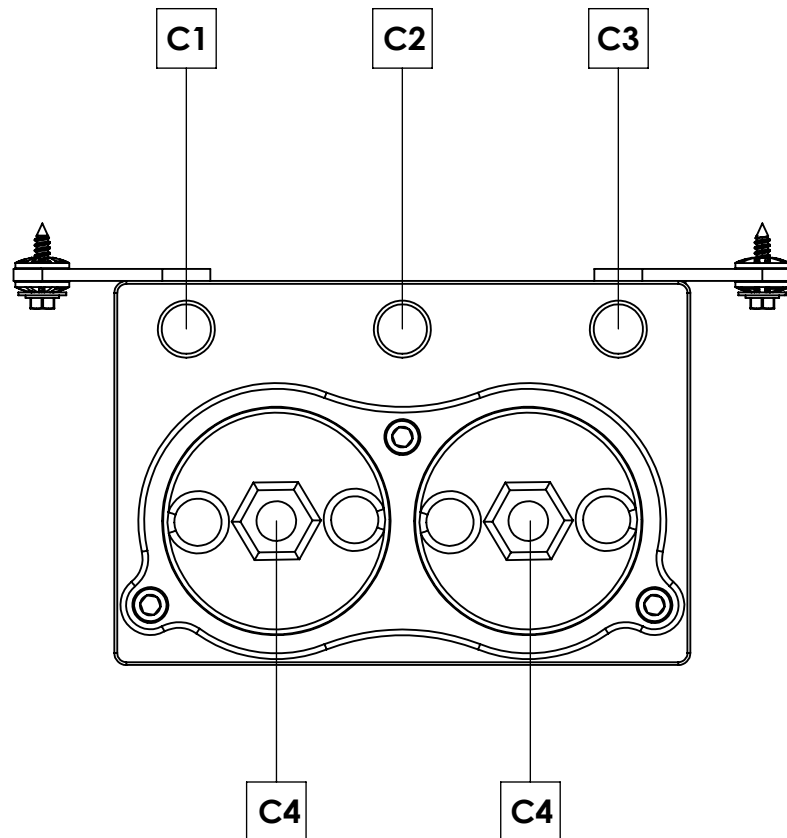




PERFORMANCE BY
**INTEGRATED
ENGINEERING**



C1	OEM PUMP / FEED LINE
C2	OEM RETURN LINE
C3	FUEL PRESSURE REGULATOR RETURN
C4	FEED TO FUEL RAIL OR IE PUMP MANIFOLD (SKU# IEFUU8)

TITLE:

IEFUU6: PLUMBING SCHEMATIC

SIZE
A

DWG. NO.

REV
1

SCALE: 1:2

WEIGHT:

SHEET 1 OF 1

THE INFORMATION CONTAINED IN THIS DRAWING IS THE SOLE PROPERTY OF INTEGRATED ENGINEERING. ANY REPRODUCTION IN PART OR AS A WHOLE WITHOUT THE WRITTEN PERMISSION OF INTEGRATED ENGINEERING IS PROHIBITED.